

The compact, power-packed

AZR 60 PRIMUS material shredder



economical – sturdy – powerful

The AZR 60 of the PRIMUS series is the starter model of the single-shaft material shredders with drawer feed. An economical shredder for smaller amounts of wood waste with maximum cost benefit ratio.

Other features include: Sturdy construction, very reliable, easy to use, easy maintenance, lower operating costs and a wide range of possibilities for use.



AZR 60 PRIMUS material shredder

These machines are designed specifically to meet the demands of modern shredding techniques. Nearly all types of material can be processed economically with the slow-running rotors.

The AZR 60 PRIMUS is the perfect machine for smaller firms.



The screen perforation determines the size of the shreds



The flat rotor is made of solid steel and is situated on the solid rotor casing. The knife holders are welded onto the outside. The cutting knives are inserted into these holders and mounted at the back. This enables a quick change of knives. The concave squared knives are 4 times reversible and ensure a precise cut and increased output.



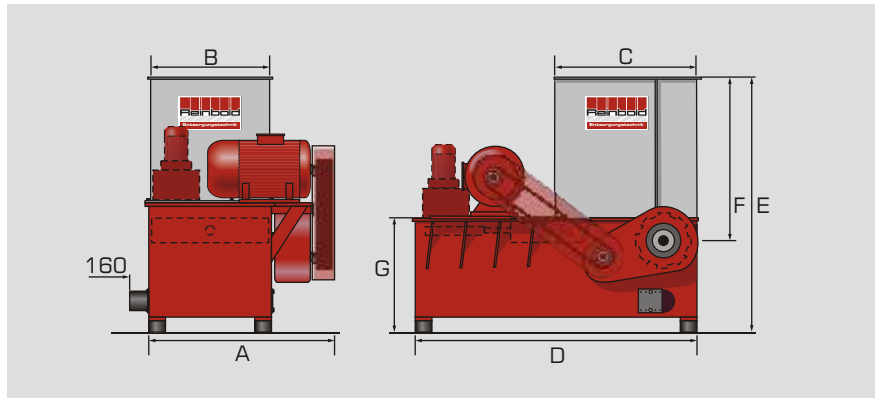
Hydraulic unit and hydraulic cylinder for the drawer. Hydraulic feed for a constant flow of material to the rotor and for continuous shedding.



Belt drive – spur gear reduction



Qualified for the crushing of wood waste and matured timber in a joinery, for example.



Typ AZR 60 PRIMUS

Rotor-Ø:	252 mm	Power:	15 / 18,5 kW
Rotation:	60-100 TpM	Screen perforation:	from 10 - 40 mm
Feed opening:	600 x 800 mm	Knives:	14 Pieces
Hopper vol.:	0,6 m ³	Weight:	approx: 1.250 kg
Throughput:	according to material and screen		
Size A	1.150 mm	Size E	1.640 mm
Size B	600 mm	Size F	1.165 mm
Size C	800 mm	Size G	660 mm
Size D	1.600 mm		

Reinbold Entsorgungstechnik GmbH

Robert-Mayer-Straße 5
74360 Ilsfeld (Germany)
Phone: +49 (0) 7062 / 97885-0
Fax: +49 (0) 7062 / 97885-50
info@reinbold.de
www.reinbold.de

Your dealer: