

High-powered and compact

Single-shaft shredders, RLZ, RHZ and RHZ plus series



RHZ 1000 plus



RLZ 400

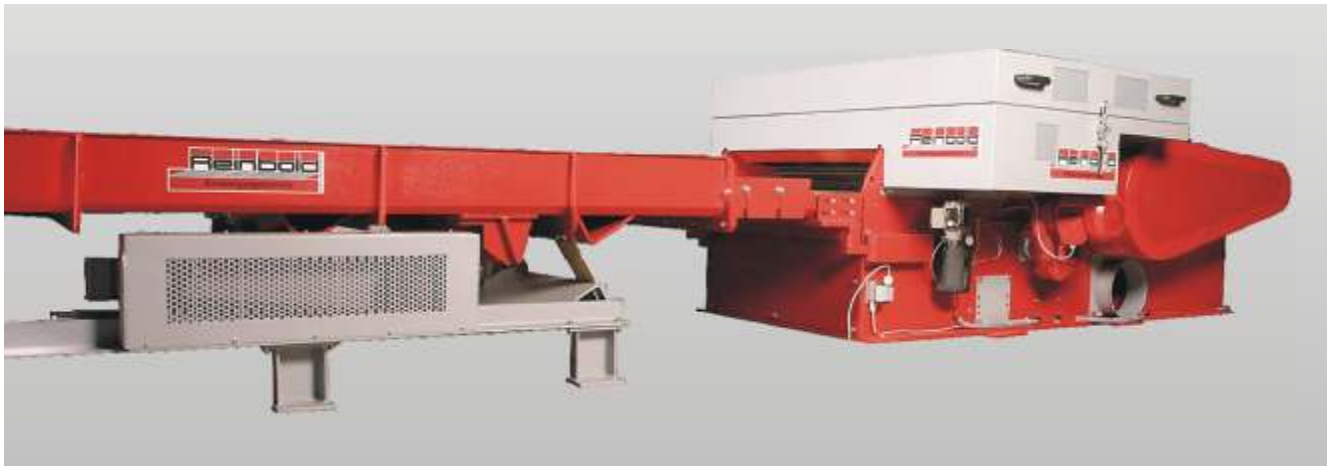


economical - robust - powerful

The horizontal shredders series RHZ are used in medium-sized companies and woodworking shops for the disposal of long thin wood waste like strips and slats. The machines can be used right beside the machining equipment due to their compact and sturdy construction.

Feed rolls and special strips ensure better material feed and simpler loading of the machine. The machines guarantee reliable and profitable operation with good throughput.





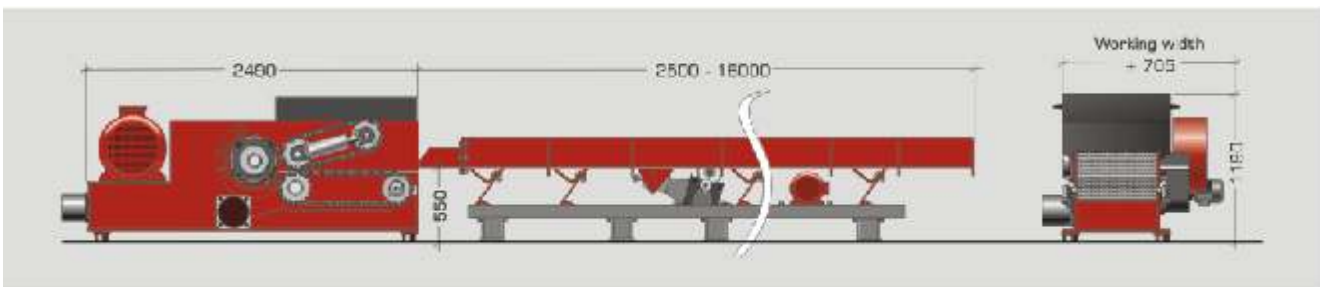
Shredders with link chain feed, 400 - 1300 RHZ plus series



RHZ plus series horizontal shredders are used to shred long and short wood waste, chip board, packages and strips. The materials can also be fed to the rotor in packages using the special link chain feed. The material to be shredded is entered and fed to the rotor via a vibration chamfer that is as wide as the horizontal shredder. The material stack is caught by the chain belts, pressed together and supplied to the rotor. The feed is controlled based on load. A rotor construction with a diameter of 482 mm is available for more throughput.



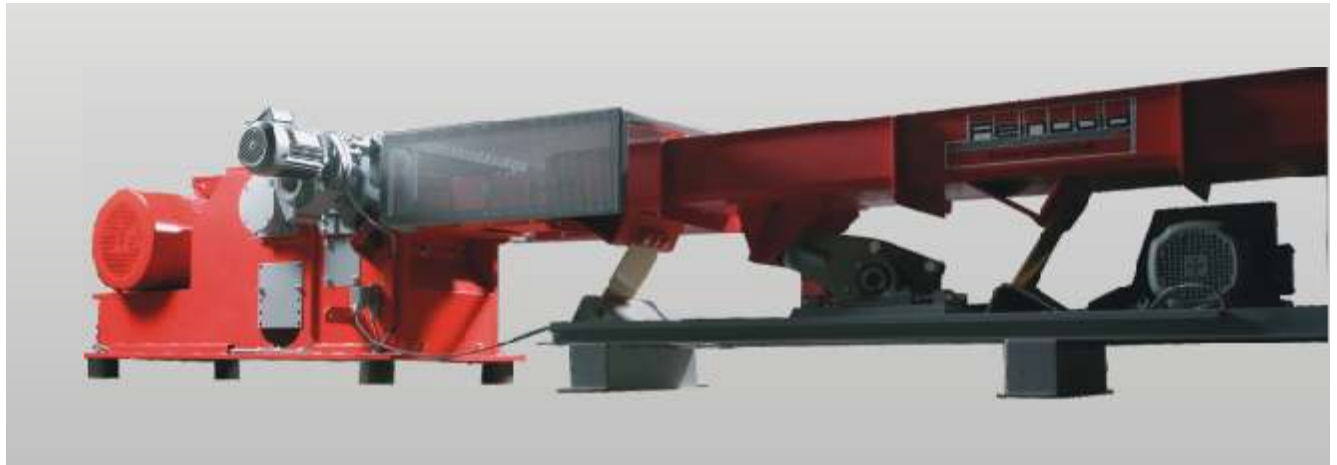
Rotor version 7



| Model | RHZ plus 400 S | RHZ plus 600 S | RHZ plus 800 S | RHZ plus 1000 S | RHZ plus 1300 S |
|-----------------------------|----------------|----------------|----------------|-----------------|-----------------|
| Feed opening (mm): | 400 | 600 | 800 | 1000 | 1300 |
| Throughput (approx. kg/h)*: | 1.800 | 2.300 | 3.000 | 3.500 | 4.000 |
| Rotor diameter**: | 354 | 354/482 | 354/482 | 354/482 | 354/482 |
| Power required (kW): | 22/30/37/45 | 37/45/55 | 45/55/75 | 45/55/90/110 | 55/75/90/110 |
| Tools (quantity): | 20 | 30 | 40/60 | 50/75 | 64/96 |
| Screen perforation (mm): | 20 - 100 | 20 - 100 | 20 - 100 | 20 - 100 | 20 - 100 |
| Suction piece Ø (mm): | 250/300 | 250/300 | 250/300 | 250/300 | 250/300 |
| Weight (approx., kg): | 1.800 | 2.400 | 3.000 | 4.000 | 5.000 |

* screen 35 mm / depending on the type of material
 ** Rotor diameter 482 mm = RHZ Gigant plus series





The Reinbold RHZ series is equipped with smart details: Two feed rolls and special strips ensure better material feed and simpler loading of the machine.



New, improved and more stable strips on the feed rolls guarantee optimum material entry and constant material supply to the rotor. The feed unit is controlled based on load and shuts off automatically if there is too much material. Thus the rotor can continue shredding without malfunctioning and is not overloaded.

Compact construction, the RHZ 300 - 1300 S series



| Model | RHZ 300 | RHZ 400 / 400 S | RHZ 600 / 600 S | RHZ 800 S | RHZ 1000 S | RHZ 1300 S |
|----------------------------|---|-----------------|-----------------|----------------|----------------|-------------|
| Feed opening (mm): | 300 | 400 | 600 | 800 | 1000 | 1300 |
| Throughput (approx. kg/h): | depending on the type of material and screen used | | | | | |
| Rotor diameter*: | 252 | 252/354 | 252/354 | 354/482 | 354/482 | 354/482 |
| Power required (kW): | 18,5/22 | 18,5/22/30/37 | 22/30/37/45 | 37/45/55/75/90 | 37/45/55/75/90 | 45/55/75 |
| Tools (Pcs): | 8 | 10/20 | 15/30 | 40/60 | 50/75 | 64/96 |
| Screen perforation (mm): | 20 - 100 | 20 - 100 | 20 - 100 | 20 - 100 | 20 - 100 | 20 - 100 |
| Suction piece Ø (mm): | 250 | 250/300 | 250/300 | 250/300 | 250/300 | 250/300 |
| Weight (approx. kg): | 900 | 1.000/1.400 | 1.900 | 2.300/3.200 | 2.800/3.200 | 3.300/4.500 |

* Rotor diameter 482 mm = RHZ Gigant series



The small strip shredders with angled feeds in the RLZ series for disposal of long thin wood waste such as strips and slats are implemented right beside the machining equipment.

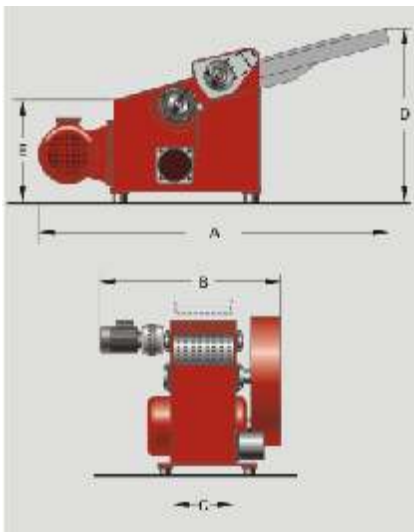
The material to be shredded is entered directly in the rotor width of the RLZ. The material is supplied directly to the rotor using a feed roll.

The feed works based on load and shuts off automatically. This is carried out until the material is fully shredded.

Strip shredders with angled feeds, the RLZ 400 - 800 series



Our little RLZ is an all-rounder for use beside a board sectioning saw or multiple-blade saw for example. The RLZ is also suitable for shredding other materials such as plastic profiles and strips.



| Model | | RLZ 400 | RLZ 600 | RLZ 800 |
|----------------------------|-------|---|-----------|-----------|
| Feed opening (mm): | | 400 x 50 | 600 x 50 | 800 x 50 |
| Throughput (approx. kg/h): | | depending on the type of material and screen used | | |
| Rotor diameter: (mm): | | 252 | 252 | 252 |
| Rotor speed (rpm): | | 200 - 300 | 200 - 300 | 200 - 300 |
| Power required (kW): | | 15/18,5 | 22 | 30 |
| Tools (quantity): | | 10 | 15 | 20 |
| Screen perforation (mm): | | 20-50 | 20-50 | 20-50 |
| Suction piece Ø (mm): | | 200 | 200 | 200 |
| Air (m/sec): | | 28 | 28 | 28 |
| Weight (approx. kg): | | 1.000 | 1.300 | 1.700 |
| A | (mm): | 2.190 | 2.190 | 2.190 |
| B | (mm): | 965 | 1.200 | 1.420 |
| C | (mm): | 400 | 600 | 800 |
| D | (mm): | 1.100 | 1.100 | 1.100 |
| E | (mm): | 685 | 685 | 685 |

Demonstrations and tests with your material can be arranged upon request in our testing facility. More sizes and models are available! Detailed dimensions upon request. (All dimensions in mm).



Reinbold material shredders: application images



Shredding wood waste from a plate saw with an RHZ 400 S horizontal shredder set up below ground



With special chain feed and connected to an extraction unit

RHZ 1000 plus in use

Knives that reduce your operating costs!

One of the most important characteristics of Reinbold shredders consists of a sophisticated knife system. This innovation helps reduce operating costs. In order to enable optimum scissor cutting with little force, the round knives are ground so as to be concave. The knives are round to retain a large contact surface in contact with the material to be shredded.

The knife system is protectively placed in the rotor. The round knives on it can be rotated and turned over up to eight times until they have to be replaced.

The rotors of the machines turn at a speed of approx. 600 - 900 min⁻¹ and ensure calm operation with little dust formation.

The rotor shaft is made of solid steel and withstands even the most extreme conditions. There is a reduced distance between the rotor and the segmented and angle-milled counterknives.

The cutting gap can be readjusted. The shredding results are homogenous without striation.



Rotor version 7



Concave cutting heads can be turned up to 4 times.



Machines from the Reinbold product line:



The AZR 600 series – the universal single shaft shredder for woodworking shops



The AZR 800 – 2000 Gigant series – the single shaft shredder for professional compaction of recyclables



The RMZ 500 - RMZ 1000 series – a four-shaft shredder that is ideal for shredding long stock



The series RB 80 - RB 300 S Flexible – for briquetting chips and dust



The series RB 20 SV - RB 60 SV – the small but powerful briquetting press



The RNZ series – granulators for two-stage shredding down to a chip size of > 3 mm

Drawing on its many years of experience, Reinbold, with its broad range of machines, is able to offer ideal solutions for different applications in material shredding and briquetting. Our testing facility is available to perform tests on your material.

Reinbold Entsorgungstechnik GmbH
Robert-Mayer-Straße 5
74360 Ilsfeld (Germany)
Phone: +49 (0) 7062 / 97885-0
Fax: +49 (0) 7062 / 97885-50
info@reinbold.de
www.reinbold.de

Your dealer: